



TAURUS  
CRACO

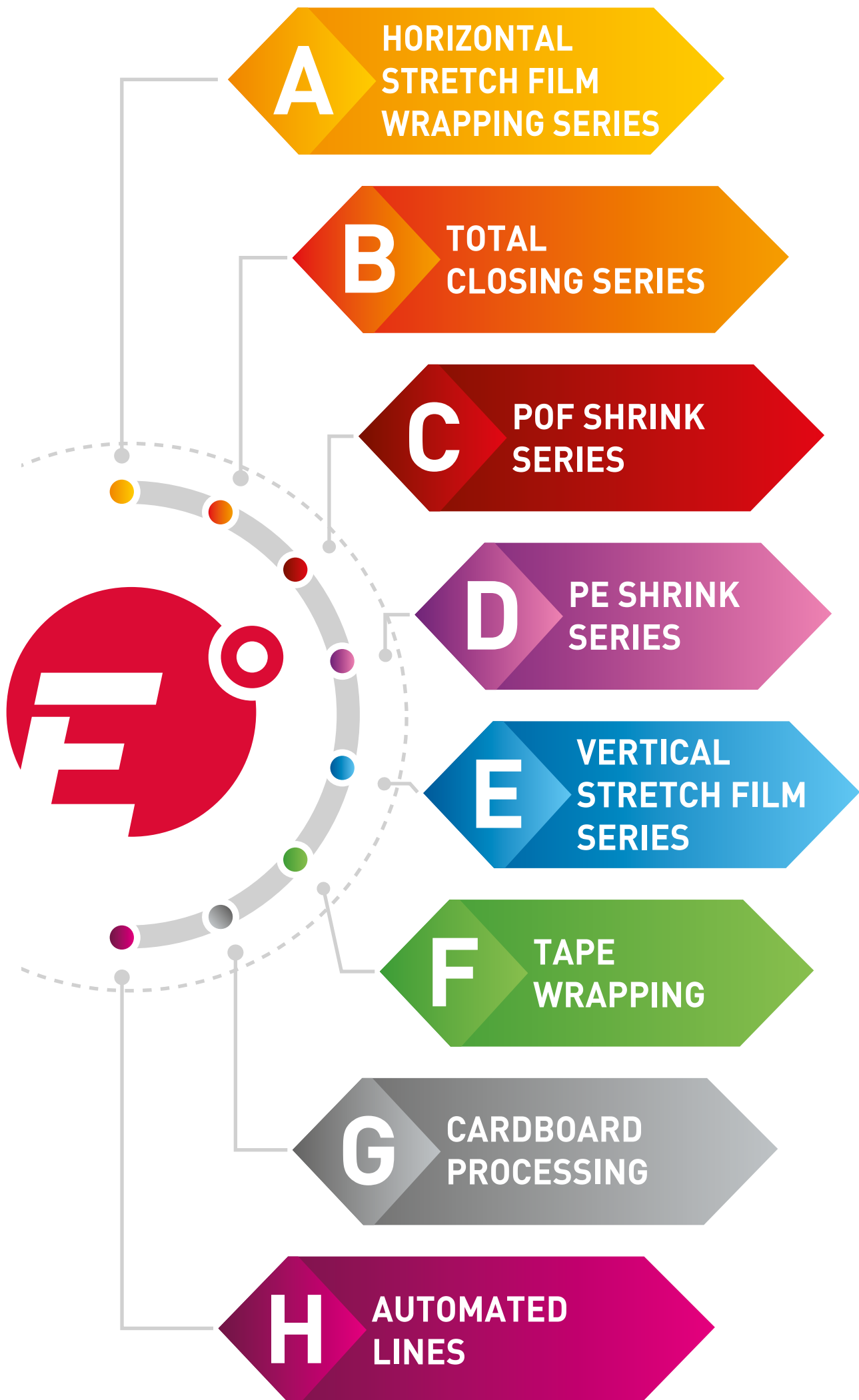


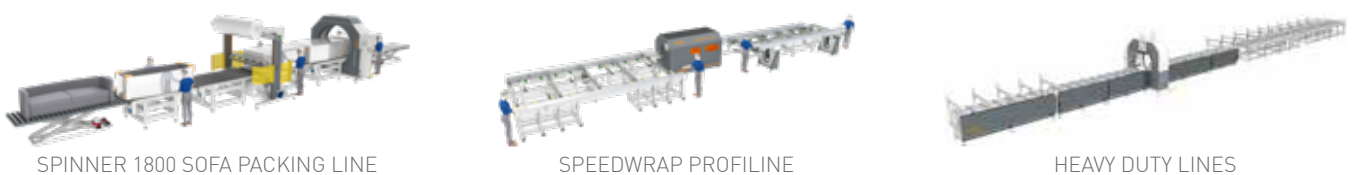
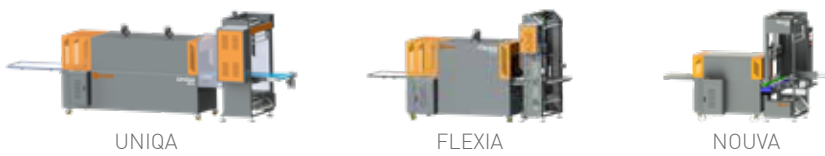
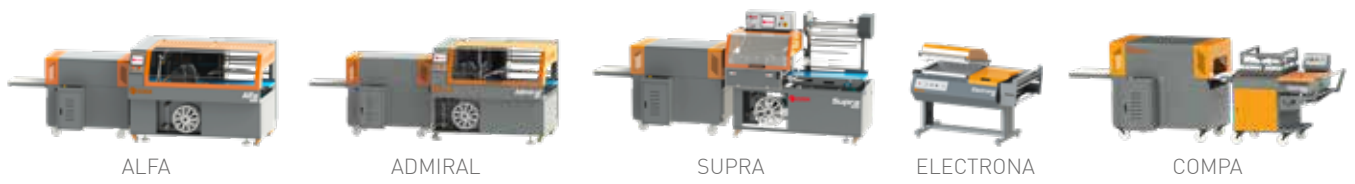
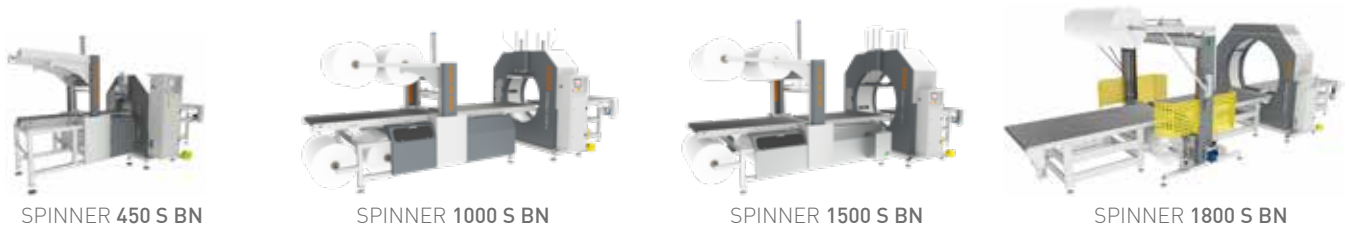
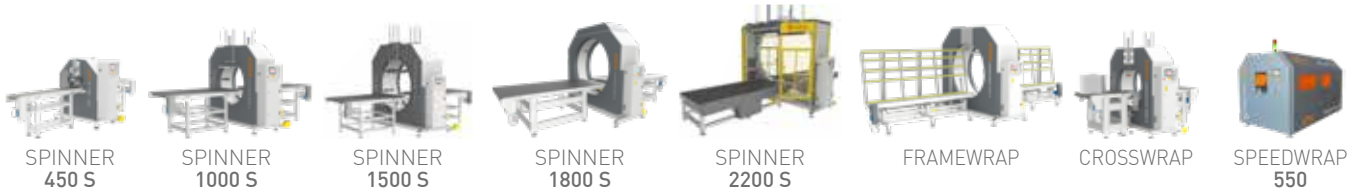
 **EDDA**<sup>®</sup>  
PACKAGING MACHINES

CE

[www.tauruscraco.com](http://www.tauruscraco.com)

EN







TAURUS  
CRACO

VERTICAL STRETCH FILM SERIES



TAURUS  
CRACO



UNPACK THE INNOVATIVE TECHNOLOGIES  
**ROBOWARP 2700 VPT**

 **EDDA**<sup>®</sup>  
PACKAGING MACHINES

[www.tauruscraco.com](http://www.tauruscraco.com)



TAURUS  
CRACO

UNPACK THE INNOVATIVE TECHNOLOGIES

## ROBOWRAP 2700 VPT

Mobile Pallet Wrapper, the ideal solution for packing goods of any weight, shape and size. The operator brings the machine to the pallet and fixing the film in the base of the pallet, then the device automatically moves around the pallet, packing it in accordance with the specified program.

Advantage of the device is that it does not require additional electrical connection, it is mobile, prevents the possibility of falling cargo from the pallet, practical, reliable and easy to operate.

Mobile pallet wrapper ROBOWRAP is not replaceable when packing bulky or unstable goods and can also be useful where it is necessary to make the packaging for different parts of the warehouse or if there inadequate space that hard to transfer pallets by forklift.





# ROBOWRAP 2700 VPT

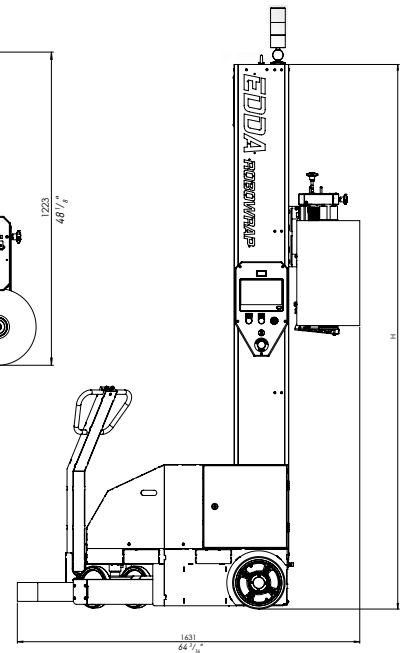
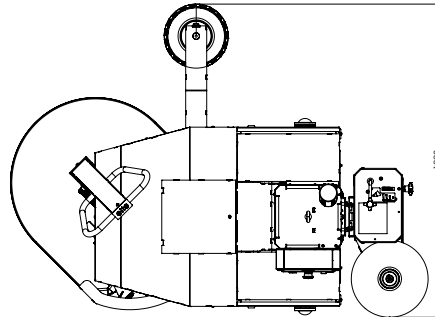
OVERSIZED PALLETS - BIG BOXES - PALLETS



PRE-STRETCH SYSTEM



MECHANICAL BRAKE SYSTEM



VERTICAL STRETCH FILM SERIES

## TECHNICAL FEATURES

### MACHINE GENERAL FEATURES

Machine Dimensions (L x W x H)	mm
Control & Drive Voltage Charger	V DC
*Charger Electric Supply	Volt - Hz
Film Tensioning System	
Film Tensioning Rate	[%]
Speed Adjustment	

### ROBOWRAP 2700 MB

Machine Dimensions (L x W x H)	1630 x 1230 x 2700
Control & Drive Voltage Charger	24
*Charger Electric Supply	220 Volt - 50/60 Hz Monophase
Film Tensioning System	Mechanical Brake
Film Tensioning Rate	0 - 100
Speed Adjustment	Available

### ROBOWRAP 2700 VPT

Machine Dimensions (L x W x H)	1630 x 1230 x 2700
Control & Drive Voltage Charger	24
*Charger Electric Supply	220 Volt - 50/60 Hz Monophase
Film Tensioning System	Motorized Pre-Stretching
Film Tensioning Rate	0 - 250
Speed Adjustment	Available

\* 110 Volt 50/60 Hz Monophase (optional)

### FILM ROLL FEATURES

Film Width	mm/inch	200 - 500	7 <sup>7</sup> / <sub>8</sub> " - 19 <sup>11</sup> / <sub>16</sub> "	500	19 <sup>11</sup> / <sub>16</sub> "
Max. Roll Diameter	mm/inch	Ø250	9 <sup>27</sup> / <sub>32</sub> "	Ø250	9 <sup>27</sup> / <sub>32</sub> "
Max. Roll Weight	kg	16		16	
Roll Inner Diameter	mm/inch	Ø76	2 <sup>63</sup> / <sub>64</sub> "	Ø76	2 <sup>63</sup> / <sub>64</sub> "

### PACKAGING DIMENSIONS

Max. Height	mm/inch	2700	106 <sup>19</sup> / <sub>64</sub> "	2700	106 <sup>19</sup> / <sub>64</sub> "
Max. Dimensions (W x D)	mm/inch	∞		∞	
Min. Dimensions (W x D)	mm/inch	700 x 700	27 <sup>9</sup> / <sub>16</sub> " x 27 <sup>9</sup> / <sub>16</sub> "	700 x 700	27 <sup>9</sup> / <sub>16</sub> " x 27 <sup>9</sup> / <sub>16</sub> "



TAURUS  
CRACO

UNPACK THE INNOVATIVE TECHNOLOGIES

**ROBOWRAP 2700 VPT**

Keep your products in safe!

Flexible and universal packaging solutions for many industries. From small productions to huge manufacturing areas. Our team will help you to search the optimal equipment for your production needs.



Automotive Spares



Wood



Metal



Food



Ceramic



Cleaning Materials

**WHICH**  
sector  
is yours



Advantage contents applicable to carton box machine.



**Productivity;**

Provides reduction in energy consumption and cost of packaging materials.



**Practicality;**

User-friendly touch panel has 5 different operating modes and recipes.



**Ergonomics;**

It provides easy adjustment of the machine parameters by touch panel screen.



**Protection;**

Optimal protection of products from external factors, reducing damages during transportation.



**Immutability;**

It provides an uniform shape of the packaging standard for all products.



**Flexibility;**

It allows to pack workpieces with different heights, lengths and thickness.



**Strength;**

It contains the long-lasting parts for serial usage and operation.

**WHAT**  
are the  
main  
advantages



TAURUS  
CRACO



VERTICAL STRETCH FILM SERIES

